

SARACEN

Hitch Lock

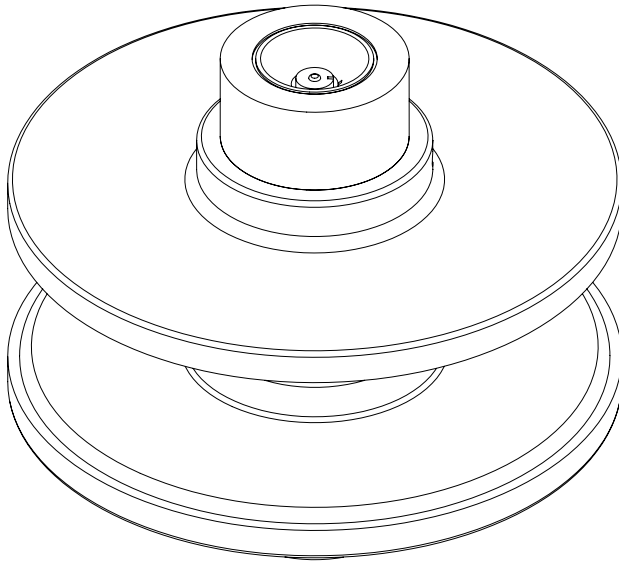
Eyelet Hitches

PRODUCT CODE: **FHL050**

REGISTER NOW TO
ACTIVATE YOUR

5 YEAR
WARRANTY

www.purpleline.co.uk
01473 601200



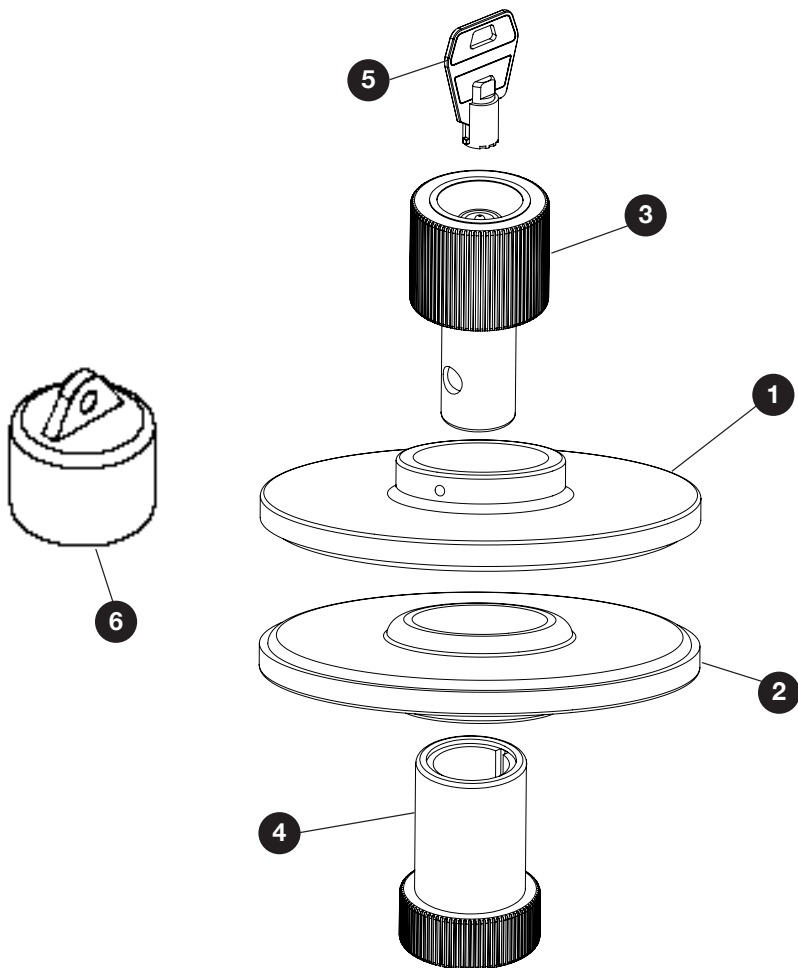
 **purpleline**[®]
design...innovate...improve

fullstop[®]
SECURITY

USER MANUAL

FHL050-UM-0616

PARTS IDENTIFICATION



PART NUMBER	NAME	QTY
1	Main Body	1
2	Base Section	1
3	Male Lock Portion	1
4	Female Lock Portion	1
5	Key	2
6	Rubber Lock Cap	1

INSTALLATION

The FullStop® Saracen Eyelet Hitch Lock can be fitted when your vehicle is unhitched. It is designed to fit all standard eyelock hitches up to 50mm.

Step by step fitting:

1. Insert key (5) into Male Lock Portion (3), push and turn 90° clockwise to unlock
2. Position Main Body (1) over hitch handle.
3. Fit the Base Section (2) onto bottom of the main body ensuring holes line up with each other.
4. Slide Female Lock Portion (4) through all holes.
5. Insert Male Lock Portion (3) into the Female Lock Portion (4) and turn 90° anti-clockwise to lock.
6. Fit Protective Rubber Lock Cap (6).
7. To remove the FullStop® Saracen Eyelet Hitch Lock reverse steps 1-6.

NOTE

It is highly recommended that a secondary security device, such as a wheel clamp/lock should be used to inhibit theft by some unconventional form of towing. Visit www.purpleline.co.uk for details of other products in the FullStop® Security Range.

MAINTENANCE

Fit protective cap (6) to lock barrel to help prevent ingress of dirt or water. Thereafter spray the outside of the lock body with a light oil such as WD-40 or equivalent every sixteen weeks.

DISCLAIMER

If used properly, your FullStop® product will be an effective deterrent. However, nothing can stop the efforts of the most determined thief, and to this end no liability is accepted for any loss and/or damage caused by any illegal activity including theft or vandalism. Liability also not accepted for any loss and/or damage arising from misuse, unauthorised repair or alteration and failure to follow the user guide directions. No form of consequential loss what so ever will be accepted.

Activate your 5 Year Warranty within 14 days of purchase:

www.purpleline.co.uk/product-registration

01473 601200



© Copyright 2016. Purple Line Limited, Peninsula Business Centre, Wherstead, Suffolk, IP9 2BB, UK

www.purpleline.co.uk

01473 601200

Photographs for illustration purposes only. Actual product may differ slightly.
Purple Line Limited reserve the right to alter product specification without prior notice.